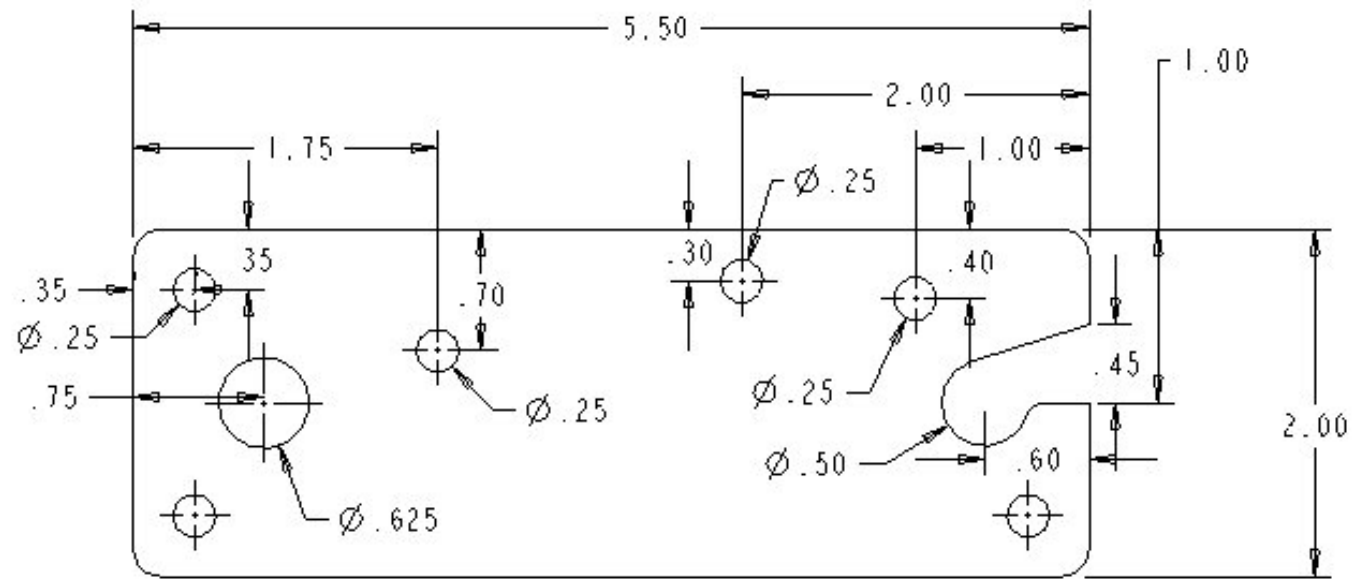


7	1.25_INCH_BOLT	2
6	1_INCH_BOLT	3
5	NUT	7
4	SPACER_BODY	1
3	RACHET	1
2	TRIGGER	1
1	TRIGGER_CASE	2
IDX	PART NAME	QTY

TOLERANCES.
 Fractions. $\pm 1/16$
 Decimals. ± 0.001
 Angles: $\pm 1^\circ$

SCALE 0.750

TRIGGER
 MATTHEW DIFRANCESCO
 INCH SHEET 1 OF 5

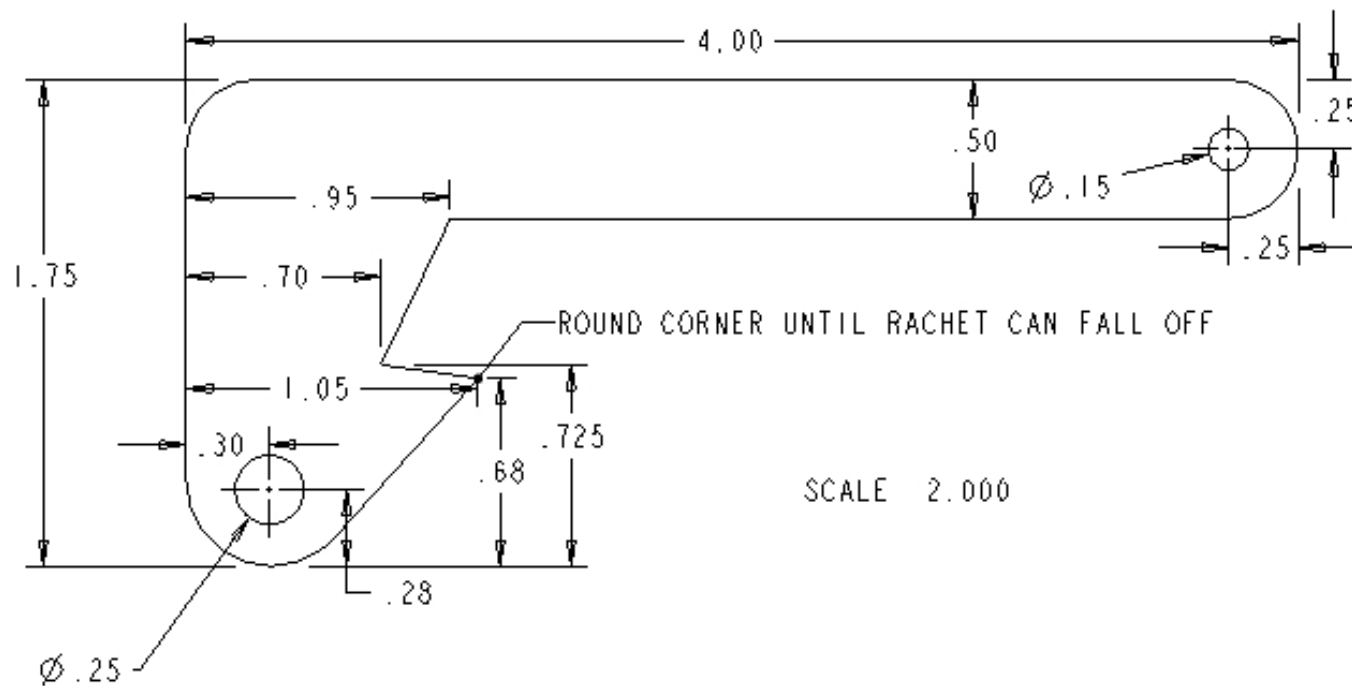


SCALE 1.250

TRIGGER CASE

Make from 1/4" thick steel flat stock

TOLERANCES: Fractions: $\pm 1/16$ Decimals: ± 0.001 Angles: $\pm 1^\circ$	TRIGGER	
	MATTHEW DIFRANCESCO	
	INCH	SHEET 2 OF 5

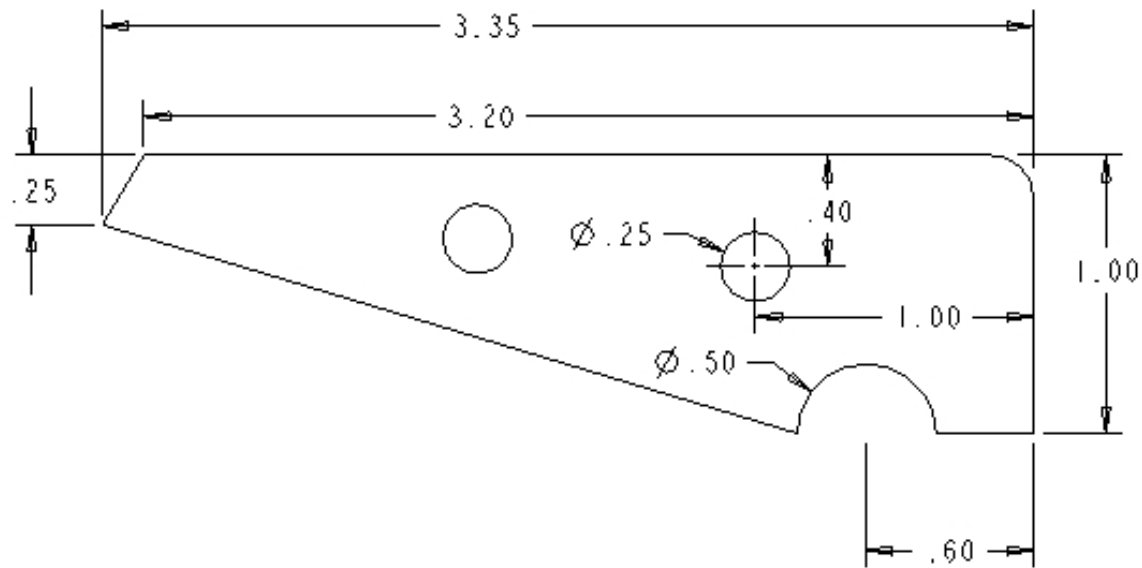


SCALE 2.000

TRIGGER

Make from 1/4" thick steel flat stock

TOLERANCES: Fractions: $\pm 1/16$ Decimals: ± 0.001 Angles: $\pm 1^\circ$	TRIGGER	
	MATTHEW DIFRANCESCO	
	INCH	SHEET 3 OF 5

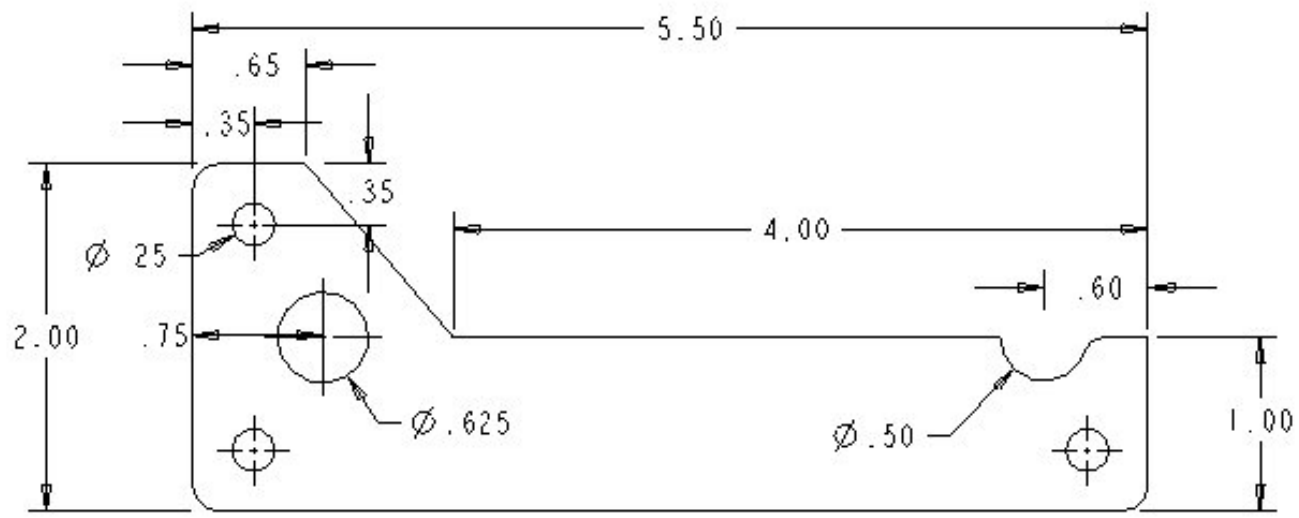


SCALE 2.000

Make from 1/4" thick steel flat stock

RACHET

TOLERANCES: Fractions: $\pm 1/16$ Decimals: ± 0.001 Angles: $\pm 1^\circ$	TRIGGER	
	MATTHEW DIFRANCESCO	
	INCH	SHEET 4 OF 5



SCALE 1.250

SPACER BODY

Make from 1/4" thick steel flat stock

TOLERANCES: Fractions: $\pm 1/16$ Decimals: ± 0.001 Angles: $\pm 1^\circ$	TRIGGER	
	MATTHEW DIFRANCESCO	
	INCH	SHEET 5 OF 5